

ECE 327: *Electronic Devices and Circuits Laboratory I*

Bandgap Voltage Reference Example: LM317

Figure 1(a) is a highlighted version of the schematic in the [datasheet of the LM317](#) from [National Semiconductor](#). The highlighted portion, which is duplicated in Figure 1(b), provides the temperature-compensated 1.25 V voltage reference. The rest of the circuit implements the other features of the regulator.

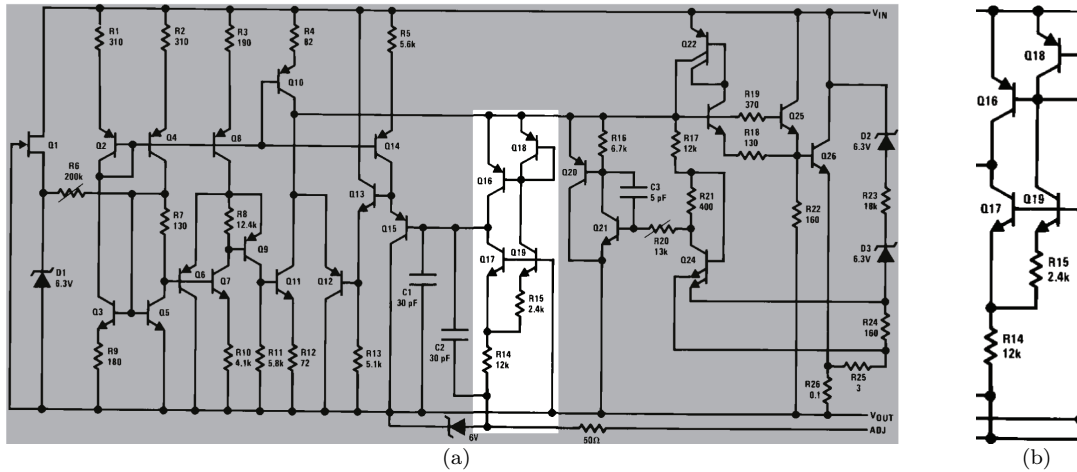


Figure 1: [National Semiconductor's LM317](#) adjustable voltage regulator. Highlight in (a) is shown in (b).

1 National Semiconductor's Choice: Matched Currents

Current Mirror: $Q16$ and $Q18$ are **matched** *pn*p transistors. Their bases are tied together and their emitters are tied together, and so they have the same base-emitter drop and thus **identical** collector currents.

Base-Emitter Difference: It is not shown in the schematic, but the base, collector, and emitter of the $Q19$ transistor each have ten times the area of the corresponding $Q17$ transistor regions. That is, $Q19$ can be redrawn as ten *n*p*n* transistors with shared collector, base, and emitter nodes. Each of these ten transistors carries 1/10 of the current that the single $Q17$ transistor carries, and so the $Q19$ base-emitter drop will be *smaller* than the $Q17$ base-emitter drop. By the [Ebers-Moll model](#) of a [bipolar transistor](#)¹, if two *matched* transistors have different currents, the difference in their base-emitter drops will be

$$\Delta V_{BE} \triangleq v_{BE2} - v_{BE1} \approx \frac{kT}{q} \ln\left(\frac{i_{C2}}{i_{C1}}\right) \quad (1)$$

where k is the [Boltzmann constant](#) (1.38×10^{-23} J/K), T is the absolute temperature in [Kelvin](#), q is the [electric charge](#) of an [electron](#) (1.6×10^{-19} C), i_{C1} and i_{C2} are the collector currents for two bipolar transistors that are identified as 1 and 2, and v_{BE1} and v_{BE2} are the base-emitter drops for those two bipolar transistors. The quantity kT/q is ~ 25.3 mV at room temperature (i.e., 21°C or 294.15 K). If i_{C2} is the current through $Q17$ and i_{C1} is the smaller current through “1/10” of $Q19$, then the ratio $i_{C2}/i_{C1} = 10$ and $\Delta V_{BE} \approx 58.3$ mV at room temperature. This ΔV_{BE} is put across $R_{15} = 2.4$ k Ω to set $i_{C1} \approx 24$ μ A at room temperature. By the $Q16$ - $Q18$ mirror, $i_{C2} = i_{C1}$, and so $i_{C2} \approx 24$ μ A at room temperature.

Temperature Compensation: The current into the top of the $R_{14} = 12$ k Ω resistor is the sum $i \triangleq i_{C1} + i_{C2}$. So at room temperature when $v_{BE2} \approx 0.7$ V,

$$V_{\text{out}} - \text{ADJ} = (i_{C2} + i_{C1})R_{14} + v_{BE2} \approx \frac{kT}{q} \ln(10)(1 + 1) \frac{R_{14}}{R_{15}} + v_{BE2} \approx 1.25 \text{ V}$$

which is suspiciously close to the silicon bandgap energy of ~ 1.22 eV. In fact, by [Equation \(1\)](#), the current i will have a *positive* temperature coefficient — it will *rise* as temperature rises — and so the R_{14} voltage will also have a positive temperature coefficient. Additionally, the v_{BE2} diode drop will have a *negative* temperature coefficient proportional to T . Hence, by setting R_{14} and R_{15} so that $V_{\text{out}} - \text{ADJ}$ is equal to the silicon bandgap at one temperature, it will stay equal to the bandgap at *all* temperatures.

¹That is, $i_{C1} = I_D (\exp(v_{BE1}/(kT/q)) - 1)$ where I_D is a *small* proportionality constant, and so $v_{BE1} \approx (kT/q) \ln(i_{C1}/I_D)$.

2 Another Choice: Current Ratio Through Matched Transistors

As discussed in [section 1](#), National Semiconductor’s LM317 drives a **matched current** through two transistors with **different emitter densities** in order to generate the temperature-independent voltage reference. Alternatively, **different currents** can be pushed through **matched transistors** to get the same effect. Here, we examine how National Semiconductor could have used the same circuit in [Figure 1](#) in this alternate way. In the previous circuit, we took Q_{16} and Q_{18} to be matched and made Q_{17} and Q_{19} have different emitter densities. In this circuit, we match Q_{17} and Q_{19} and let Q_{16} and Q_{18} differ.

Ratio Mirror: Because it is not explicitly shown in the schematic, we could make the base, collector, and emitter of the Q_{16} transistor each take up three times as much area as the corresponding regions of the Q_{18} transistor. That is, Q_{16} can be redrawn as three *pnp* transistors with shared collector, base, and emitter nodes. Because each base and each emitter is tied to the base and emitter of Q_{16} , respectively, the current through all “four” transistors is the same (i.e., they all have the same base–emitter drop, and so they must all have the same collector current). So the total current through Q_{16} is *always three times* as much as the current through Q_{18} .

Base–Emitter Difference: By the [Ebers–Moll model](#) of a [bipolar transistor](#), if two *matched* transistors have different currents, the difference in their base–emitter drops will be

$$\Delta V_{BE} \triangleq v_{BE2} - v_{BE1} \approx \frac{kT}{q} \ln \left(\frac{i_{C2}}{i_{C1}} \right) \quad (2)$$

where k is the [Boltzmann constant](#) (1.38×10^{-23} J/K), T is the absolute temperature in [Kelvin](#), q is the [electric charge](#) of an [electron](#) (1.6×10^{-19} C), i_{C1} and i_{C2} are the collector currents for two bipolar transistors that are identified as 1 and 2, and v_{BE1} and v_{BE2} are the base–emitter drops for those two bipolar transistors. The quantity kT/q is ~ 25.3 mV at room temperature (i.e., 21°C or 294.15 K). If we let i_{C2} be the current through Q_{17} and i_{C1} be the smaller current through Q_{19} (i.e., a transistor matched to Q_{17}), then the ratio $i_{C2}/i_{C1} = 3$ and $\Delta V_{BE} \approx 27.8$ mV at room temperature. This ΔV_{BE} is put across $R_{15} = 2.4$ k Ω to set $i_{C1} \approx 12$ μA at room temperature. By the Q_{16} – Q_{18} ratio mirror, $i_{C2} = 3i_{C1}$, and so $i_{C2} \approx 35$ μA at room temperature.

Temperature Compensation: The current into the top of the $R_{14} = 12$ k Ω resistor is the sum $i \triangleq i_{C1} + i_{C2}$. So at room temperature when $v_{BE2} \approx 0.7$ V,

$$V_{\text{out}} - \text{ADJ} = (i_{C2} + i_{C1})R_{14} + v_{BE2} \approx \frac{kT}{q} \ln(3)(3 + 1) \frac{R_{14}}{R_{15}} + v_{BE2} \approx 1.25 \text{ V}$$

which is suspiciously close to the silicon bandgap energy of ~ 1.22 eV. In fact, by [Equation \(2\)](#), the current i will have a *positive* temperature coefficient — it will *rise* as temperature rises — and so the R_{14} voltage will also have a positive temperature coefficient. Additionally, the v_{BE2} diode drop will have a *negative* temperature coefficient proportional to T . Hence, by setting R_{14} and R_{15} so that $V_{\text{out}} - \text{ADJ}$ is equal to the silicon bandgap at one temperature, it will stay equal to the bandgap at *all* temperatures.

3 Comparison: Both Use Non-unity Current-Density Ratios

Because the base–emitter drop of a bipolar transistor has a negative temperature coefficient, the challenge to building a temperature-independent reference is generating a voltage with a *positive* temperature coefficient. In both designs, the positive temperature coefficient is built by driving two different **current densities** through matched transistors. In [section 1](#), mirrored currents travel through transistors with unequal areas. In [section 2](#), different currents travel through transistors with equal areas. In both cases, the difference in current **density** (i.e., current/area) sets up the voltage with the necessary positive temperature coefficient.

Links to more reading:

- <http://www.national.com/rap/Application/0,1570,24,00.html>
- http://en.wikipedia.org/wiki/Bandgap_voltage_reference
- http://en.wikipedia.org/wiki/Brokaw_bandgap_reference
- <http://amesp02.tamu.edu/~sanchez/689-bandgap-fikret.pdf>